

MicroDexed Build Manual



Requirements

Making a TeensyMIDIAudio board is not very difficult, but you should consider the following:

- You should've soldered something before. Preferably a small kit. Without some practice you will get problems with bad soldering points and such errors are always very difficult to find if you have not worked properly. Instructions on how to solder and which tools are necessary for it, you will surely find on the Internet.
- You need time! Someone with a lot of experience and practice can finish the whole kit in 2 hours. But if you don't take enough time, there is a high risk to fill something wrong or to create bad soldering spots.
- You need good tools. Good doesn't always mean expensive. But don't try to work with unsuitable tools - this leads to problems.

Tools

- Soldering iron: It is best to use a temperature-controlled soldering iron or a station with a power of about 40 watts or less. Never use soldering tips that are too large or a soldering iron with a large capacity.
- Soldering tin
- (Small) Side cutter
- "Helping hand" or fastening material (which is heat resistant)
- Stripping tool
- Hot air pistol for shrinking tube

Build

The printed circuit board has numerous optional components that only need to be mounted in certain cases. This guide shows you all possible options and indicates whether the step is optional or recommended. All steps without further hints are necessary.

It is also possible to equip the board with a PT8211 I2S audio chip. This option is not shown here. If you want to use this option, you can use the schematic as help or ask directly via email or in the forum.

The build process is organized into several steps (each step on one page, often with a photo). It is a good practise to make a break after each step. For steps were you have to solder very much (like the IC sockets) you should make breaks in between.

Be carefull when soldering on the Teensy audio board! You should take care not to stay too long on one soldering point and allow breaks to cool down the soldering points so that the chip on the board is not damaged.

I you are unsure or the manual is not precise enough (or perhaps wrong?), please asl by email or forum before doing something wrong!

Note: The photos show a mounted SMD component (type PT8211). This is not necessary and is not pre-assembled.

Kit completeness check

Included parts

- Resistors:
 - R1 (470 Ohm)
 - R3, R4, R5, R8, R9 (220 Ohm)
 - R6, R7 (4.7 kOhm)
- Diodes
 - D1 (1N4148)
- Capacitors
 - C1 (100 nF)
- IC sockets
 - U1 (2*24 pin)
 - U2 (2*14 pin)
 - U4 (2*8 pin)
 - U5 (2*8 pin)
- IC's
 - IC4 (74LS14 -> U4)
 - IC5 (6N138 -> U5)
- Sockets
 - J1 (USB-B socket)
 - J13 (USB-A-socket (horizontal))
 - J9, J11 (Stereo RCA socket (horizontal))
 - J14, J15 (DIN-socket)
- Pin header
 - J2, J3, J4, J5, J6 (double pin row)
 - J7, J8, J10, J12, J16, J17, J18, J19 (single pin row)
- Jumpers
 - JP3, JP4, JP5
- Additional Parts
 - 2 Encoder
 - 2 Encoder knobs
 - 10 7cm jumper cables (*open*/female - for encoders)
 - 1 LCD-display 16*2 lines
 - 1 LCD cable (4 pin female/female)
 - 1 Micro-USB adapter cable
 - 1 Teensy-MIDI-Audio-PCB
 - 11 7cm jumper cables (female/female - for audio and USB-host)
 - 1 10cm heat-shrink tubing (for 10 * 1 cm for encoder cables)

External parts (not included in this kit)

- 1 Teensy-3.6 (or Teensy-3.5 with some limitations, **Teensy-4.x will not work with this board!**)
- 1 SD card 2-32GB
- 1 Teensy audio adapter board (Rev. C, **the Rev. D board for Teensy-4.x will not work!**)

- 1 USB power supply

Assembling the kit

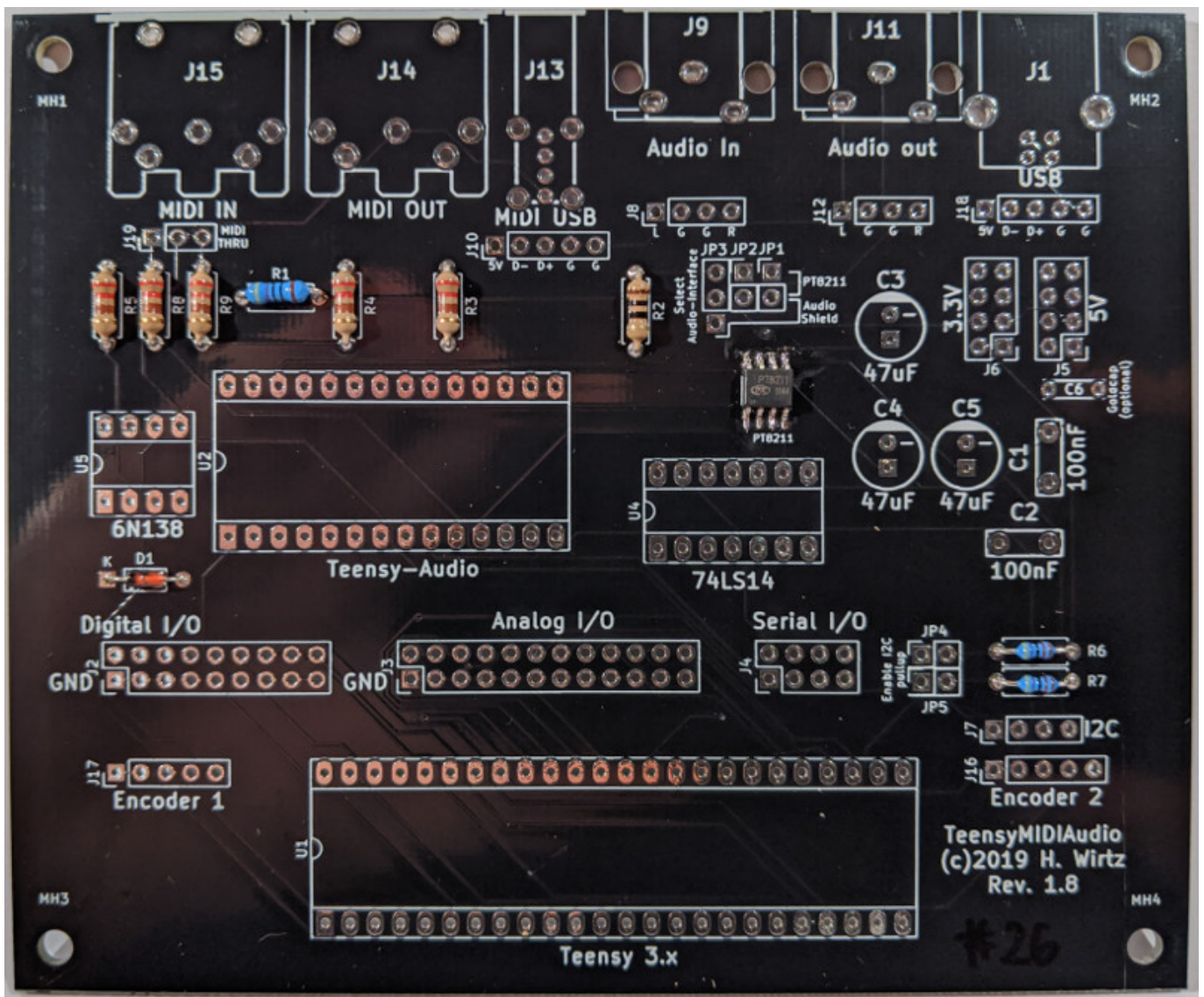
For the assembly of printed circuit boards you should always start with the flattest components and mount the higher components step by step. On the next pages you will find several steps for the parts in a recommended order.

- Diode and Resistors
- Capacitor
- IC sockets
- Double-row pin headers
- Single-row pin headers
- Sockets
- Solder the audio card
- Solder USB-Host pin header for the Teensy-3.6
- Solder the encoders
- Insert the ICs
- Insert the audio card
- Insert the Teensy
- Connect audio card
- Connect USB-Host (OPTIONAL)
- Connect encoders
- Connect LCD display
- Prepare and insert SD card
- Test and trouble-shooting

Diode and Resistors

You need:

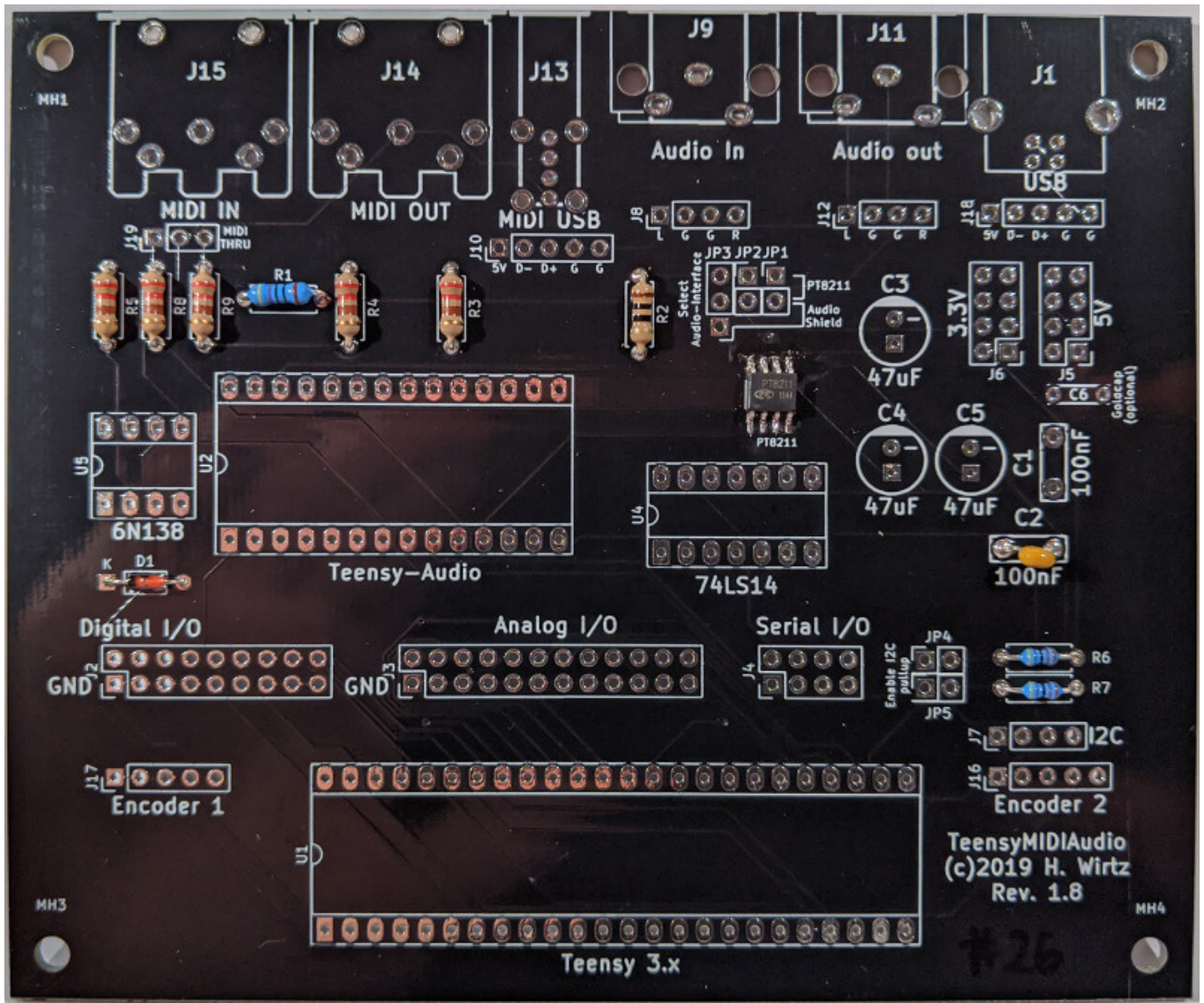
- Diode D1 (1N4148)
- Resistors
 - R1 (470 Ohm / 470)
 - R2 (10 Ohm / 10)
 - R3 (220 Ohm / 220)
 - R4 (220 Ohm / 220)
 - R5 (220 Ohm / 220)
 - R6 (4.7 kOhm / 4K7)
 - R7 (4.7 kOhm / 4K7)
 - R9 (220 Ohm / 220)
 - R10 (220 Ohm / 220)



Capacitor

You need:

- Capacitor C1 (100 nF)

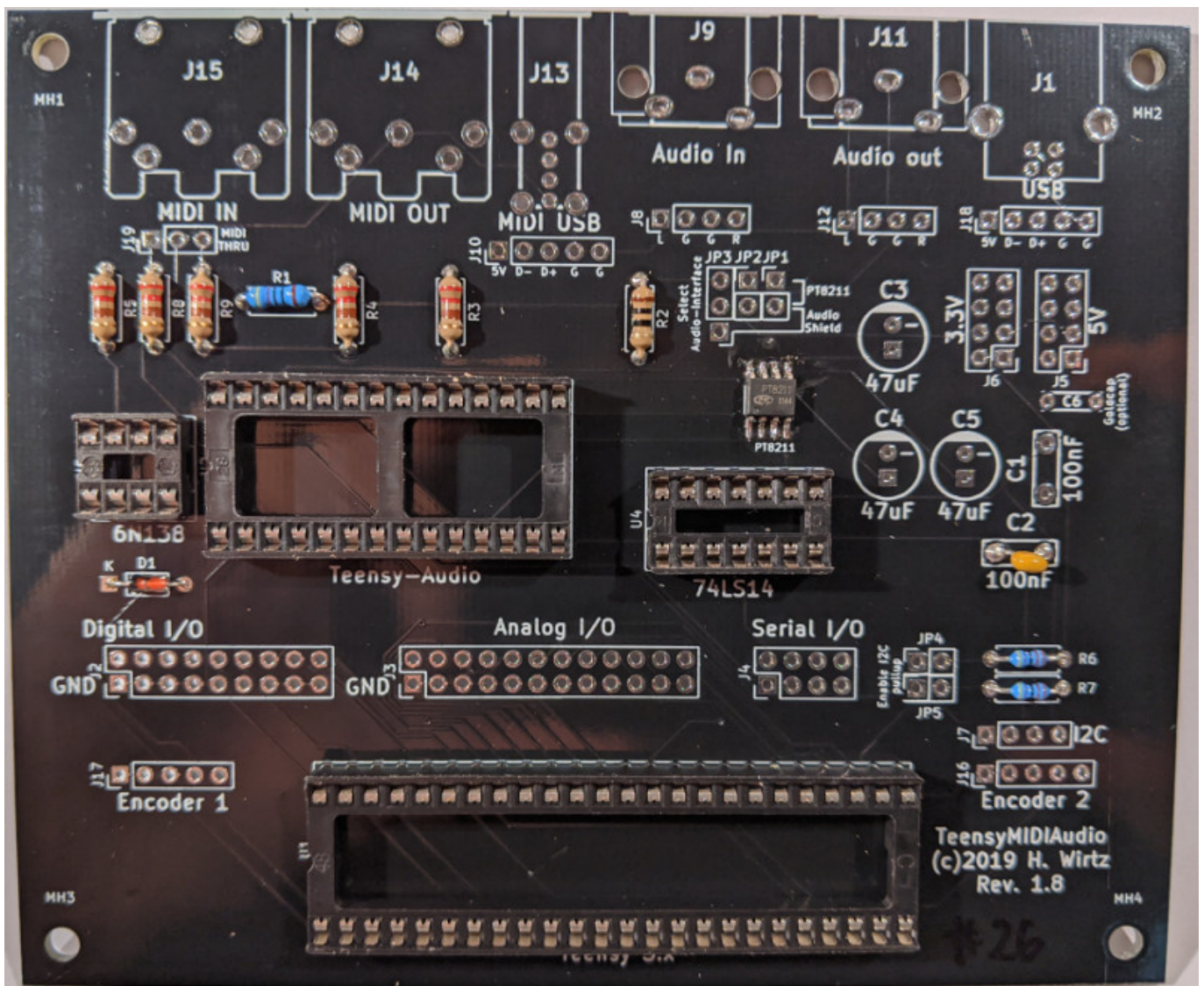


IC sockets

Note the direction in of the IC sockets: If the board is like in the picture below, the notches of all IC-sockets must point to the left.

You need:

- U1 (2*24 pin)
- U2 (2*14 pin)
- U4 (2*8 pin)
- U5 (2*8 pin)

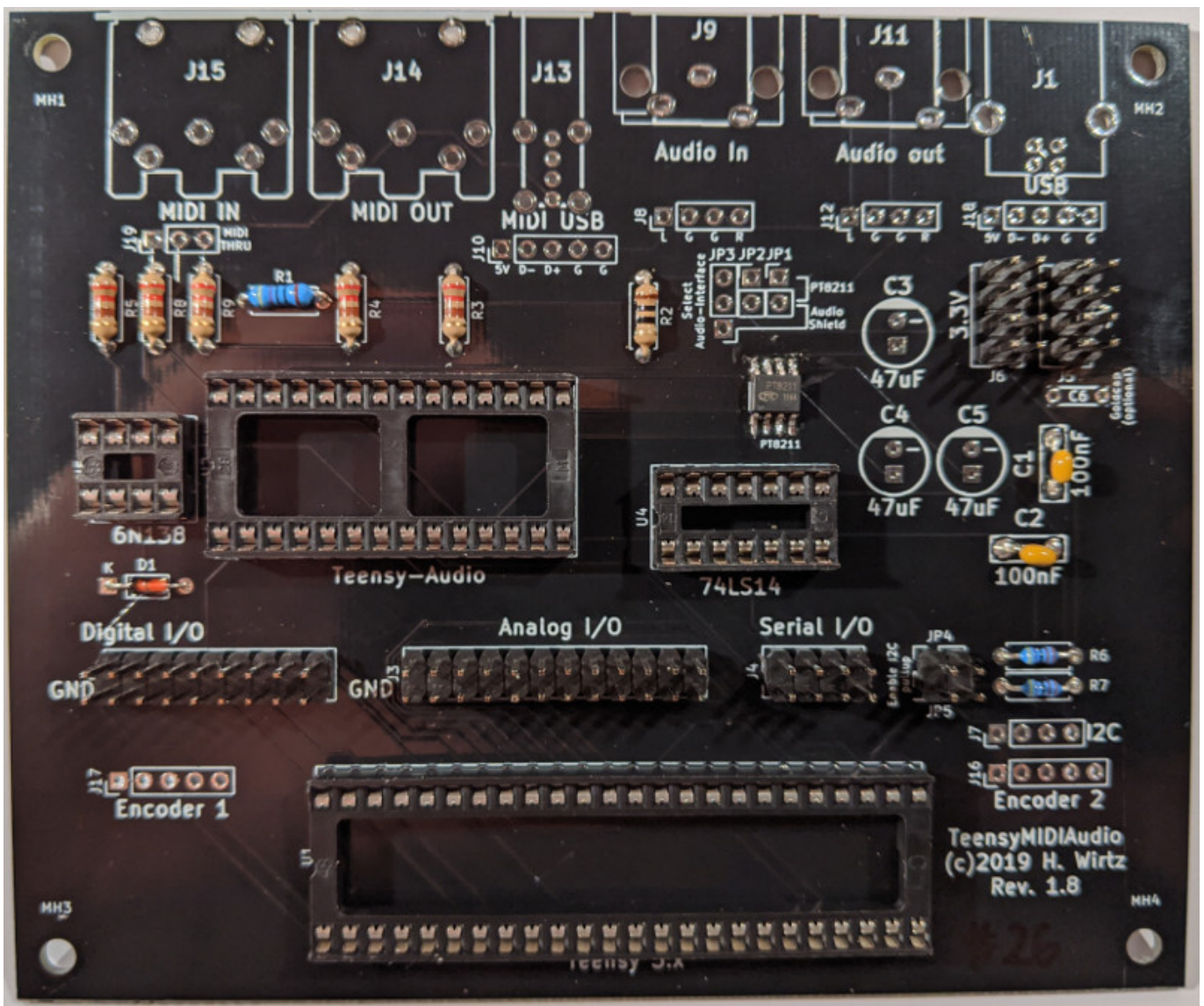


Double-row pin headers

You have to cut the needed number of pins from the long double-row-headers by yourself. Only JP4 is needed, the rest are optional signals and ground pins if you want to extend the hardware by yourself. For more information take a look at the circuit diagram.

You need:

- JP4 (2 * 2 pin rows)
- J2 (9 * 2 pin rows) (OPTIONAL)
- J3 (12 * 2 pin rows) (OPTIONAL)
- J4 (4 * 2 pin rows) (OPTIONAL)
- J5 (4 * 2 pin rows) (OPTIONAL)
- J6 (4 * 2 pin rows) (OPTIONAL)

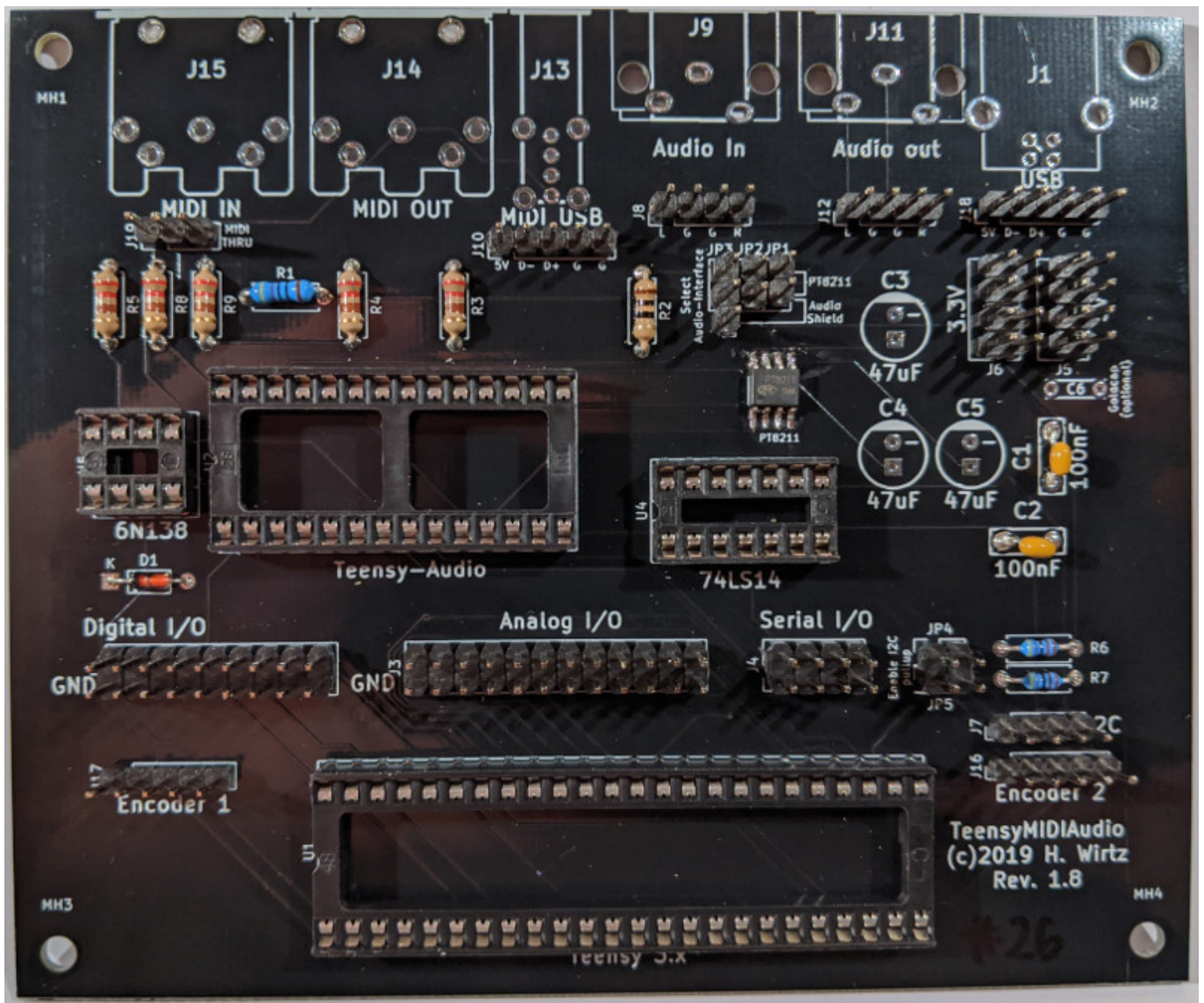


Single-row pin headers

You have to cut the needed number of pins from the long single-row-headers by yourself. Only JP1/JP2/JP3/J7/J6/J17 are needed, but it is recommended to solder the remaining headers as well. For more information take a look at the circuit diagram.

You need:

- JP1 (2 * 1 pin row)
- JP2 (2 * 1 pin row)
- JP3 (3 * 1 pin row)
- J7 (4 * 1 pin row)
- J16 (5 * 1 pin row)
- J17 (5 * 1 pin row)
- J18 (5 * 1 pin row) (**RECOMMENDED**)
- J12 (4 * 1 pin row) (**RECOMMENDED**)
- J8 (4 * 1 pin row) (**RECOMMENDED**)
- J10 (5 * 1 pin row) (**RECOMMENDED**)
- J19 (3 * 1 pin row) (**RECOMMENDED**)

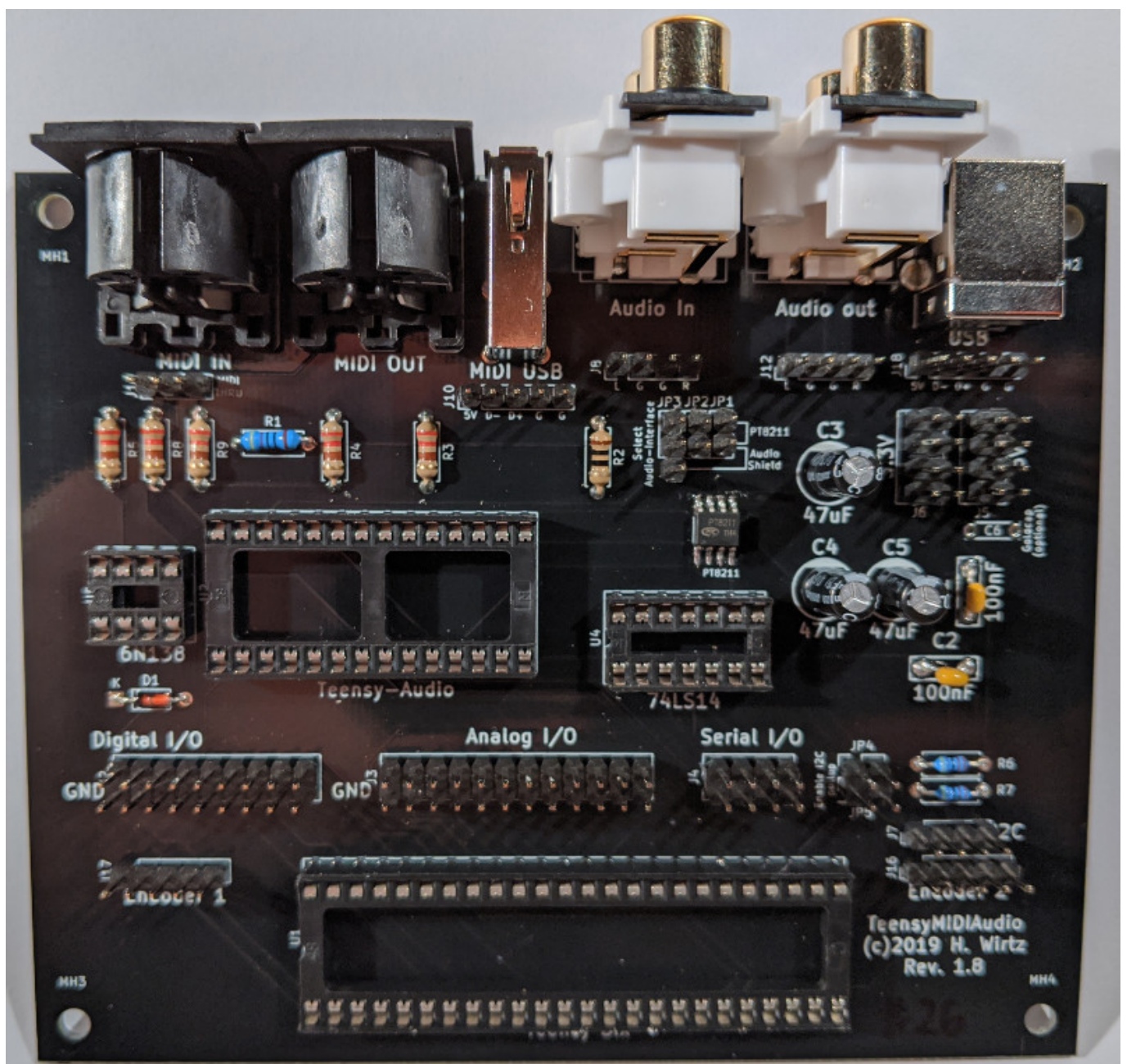


Sockets

Only J1/J11/J15 are needed, but it is recommended to solder the remaining sockets as well. For more information take a look at the circuit diagram.

You need:

- J1 (USB-B socket)
- J11 (Stereo RCA socket (horizontal))
- J15 (DIN-socket)
- J9 (Stereo RCA socket (horizontal)) (**RECOMMENDED**)
- J14 (DIN-socket) (**RECOMMENDED**)
- J13 (USB-A-socket (horizontal)) (**RECOMMENDED**)



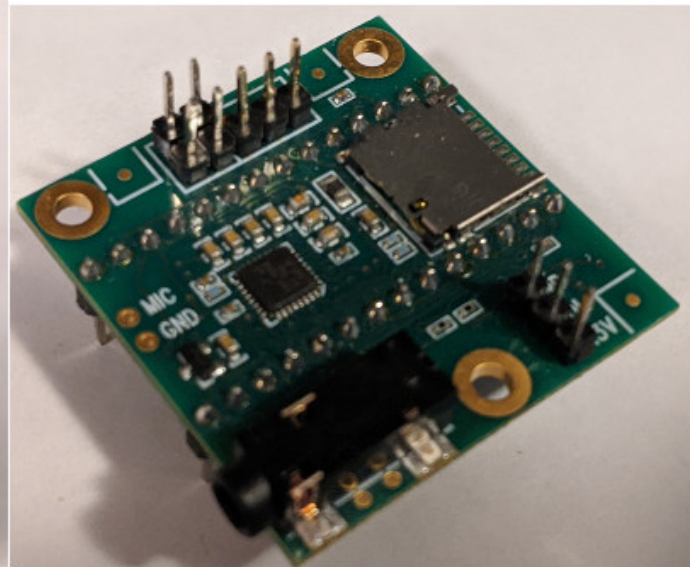
Solder the audio card

You have to cut the needed number of pins from the long single- and the double-row-headers by yourself. The 2 * 2 pins are optional and only needed if you want to use the option for audio-input. The 3-pin-single-row header on the right picture (for GND/VOL/3.3V) is not needed.

Be careful not to overheat the onboard chip when soldering the headers. Make a small break after soldering every pin to let it cool down.

You need:

- Teensy audio card (not included in the kit)
- 1 * 3 pin rows
- 2 * 14 pin single row
- 2 * 2 pin rows (**OPTIONAL**)



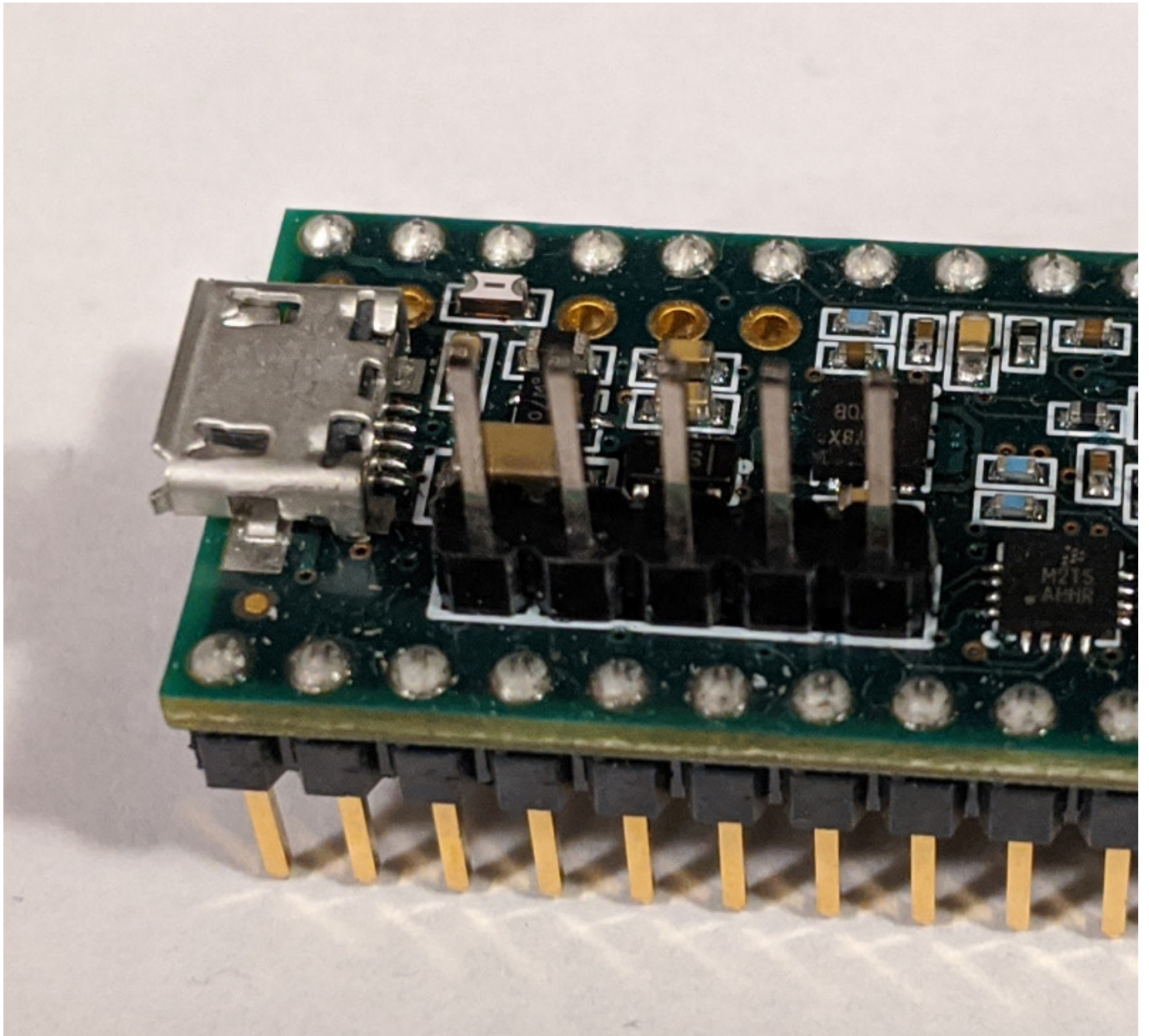
Solder USB-Host pin header for the Teensy-3.6

You have to cut the needed number of pins from the long single-row-headers by yourself.

Be careful bot to overheat the onboard chips when soldering the header. Make a small break after soldering every pin to let it cool down.

You need:

- Teensy-3.6
- 1 * 5 pin rows

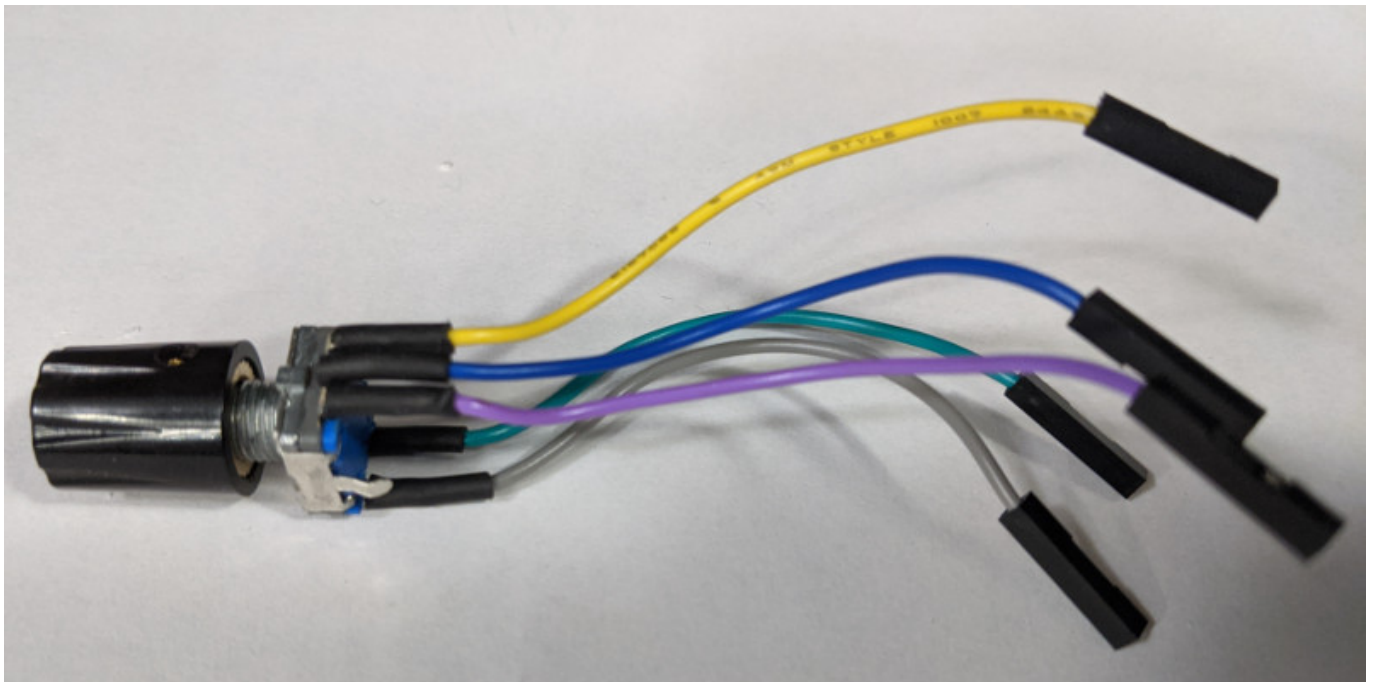


Solder the encoders

The kit contains 10 cables with open ends. These open ends must be stripped, tinned and soldered 5 per encoder. To be on the safe side, heat shrinkable tubing should be put over the soldering points. For this you have to cut 10 pieces out of the long shrink tube by yourself.

You need:

- 10 7cm wires (open/female)
- 2 encoders
- 2 encoder knobs (**OPTIONAL**)
- 10 pieces of 1 cm shrink tube

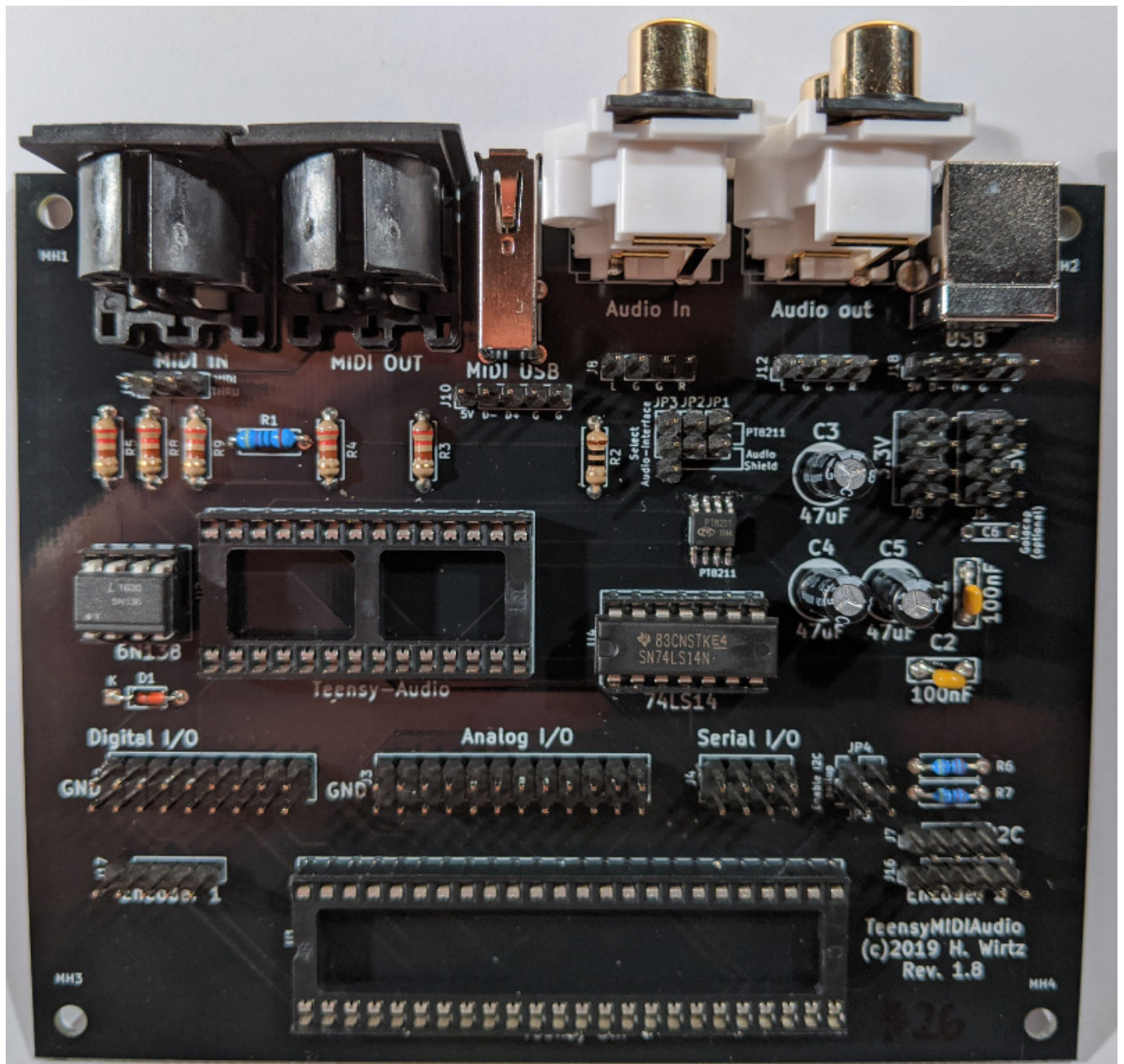


Insert the ICs

Note the direction in which the two ICs must be inserted: If the board is like in the picture below, the notches of both ICs must point to the left.

You need:

- IC4 (74LS14 -> U4)
- IC5 (6N138 -> U5)

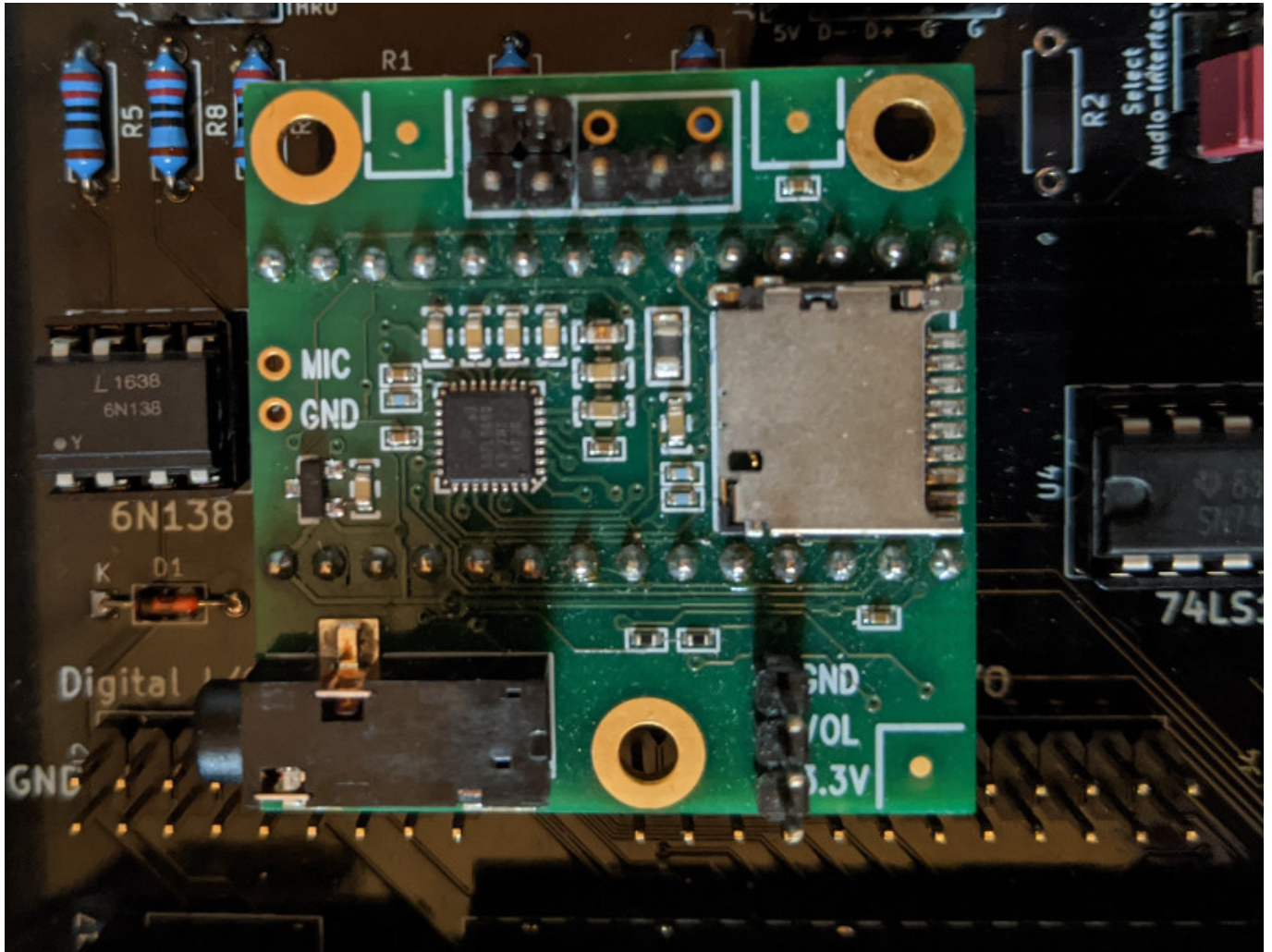


Insert the audio card

Note the direction in which the audio card: If the board is like in the picture below, the SD card slot must point to the right.

You need:

- Teensy audio card (not included in the kit)

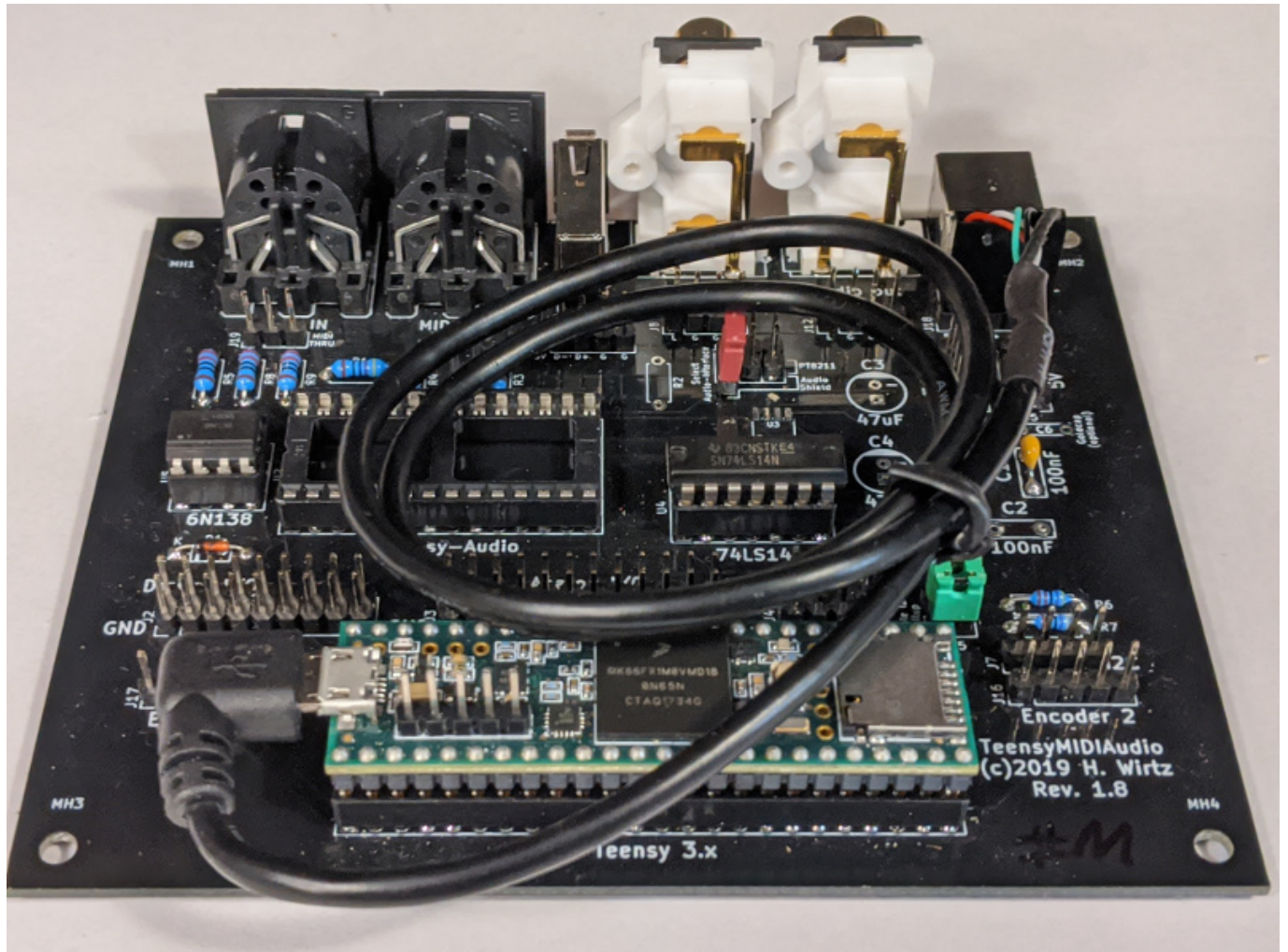


Insert the Teensy

Note the direction in which the Teensy: If the board is like in the picture below, the SD card slot must **point to the right**. Also connect the USB adapter cable so that the thicker black of the female connector is located to the right (like in the picture below).

You need:

- Teensy-3.x (not included in the kit)
- Angled USB micro adapter cable



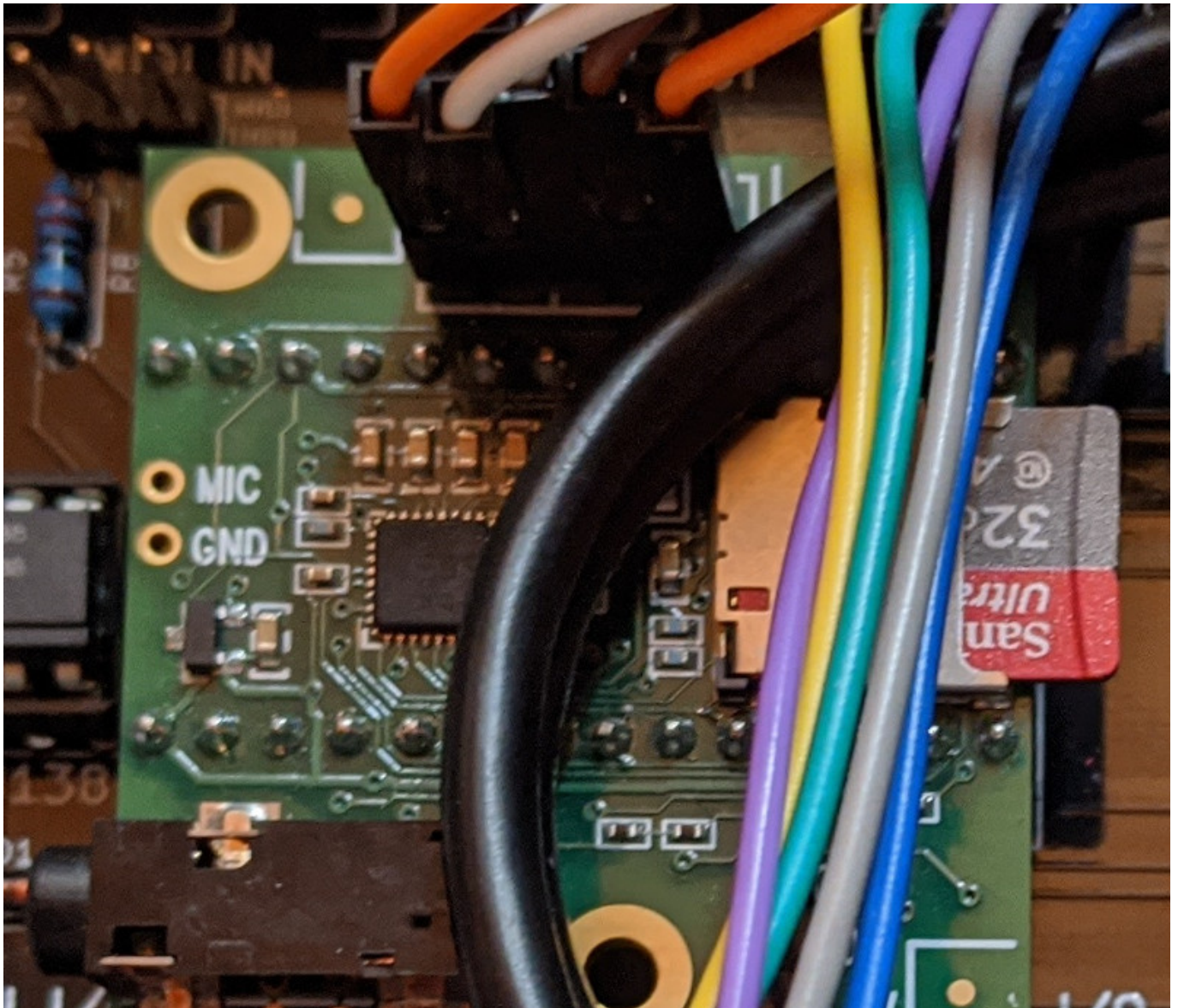
Prepare and insert SD card

Format the SD card as FAT32 and copy the contents of the directory *addon* from the *MicroDexed* directory to the SD card. You can also install your own SYSEX files (or load them directly onto the MicroDexed later). It is important to keep the directory structure: for each bank there is a directory with the bank number as name.

The SD card can be inserted into the Teensy or the audio card.

You need:

- SD card (not included in the kit)

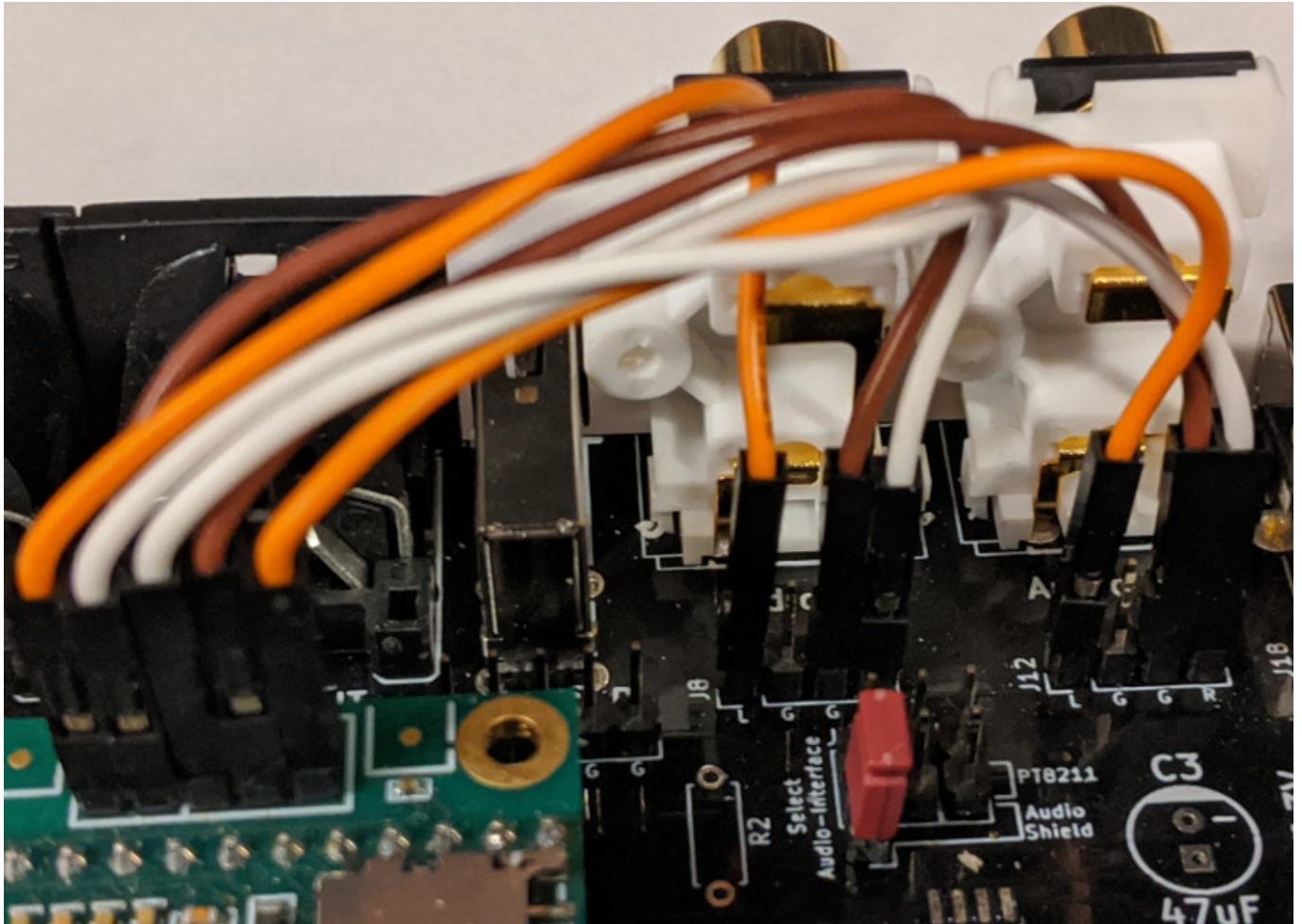


Connect audio card

Connect the audio ports of the audio card to the pin headers on the main PCB. You only need to connect the audio-out part, but it is recommended to also connect the audio-in connectors. For the wiring look at the wiring scheme below.

You need:

- 3 7cm female/female wires for audio-out
- 3 7cm female/female wires for audio-in (**RECOMMENDED**)

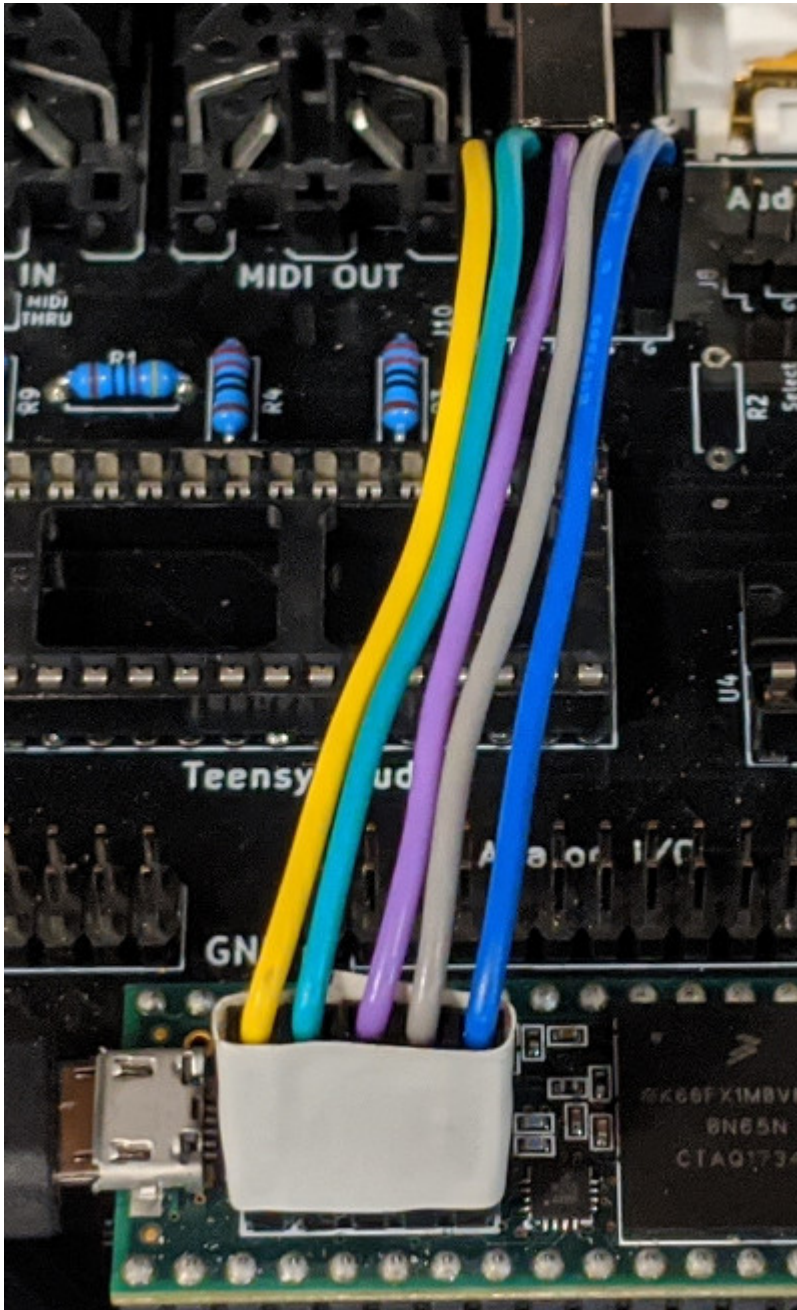


Connect USB-Host (OPTIONAL)

Connect the USB-host pins of the Teensy-3.6 to the pin headers on the main PCB. The order is straight through as shown in the picture below.

You need:

- 5 7cm female/female wires

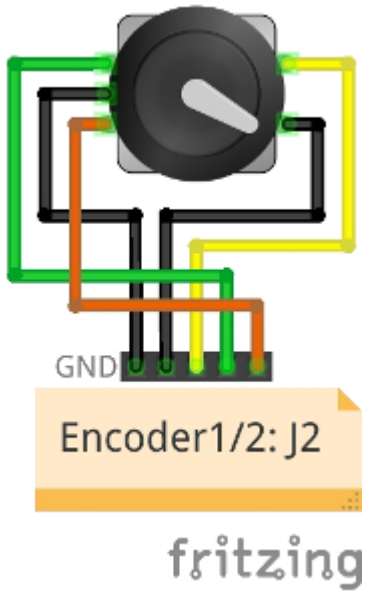


Connect encoders

Connect the pre-soldered encoders to the pin headers on the main PCB. The order is shown in the diagram below.

You need:

- 2 pre-soldered encoders

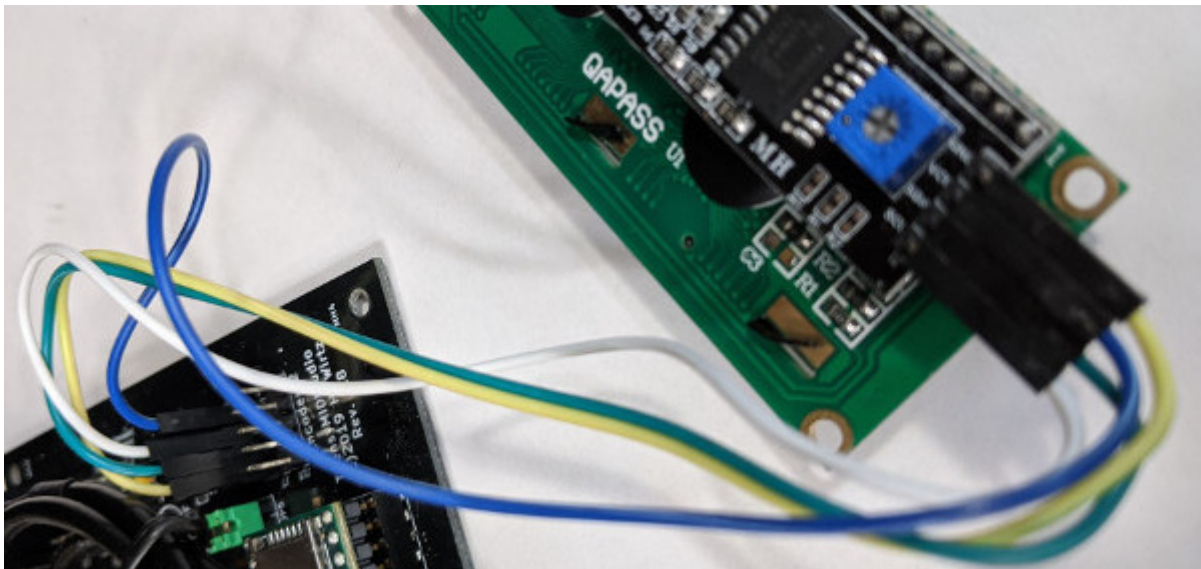
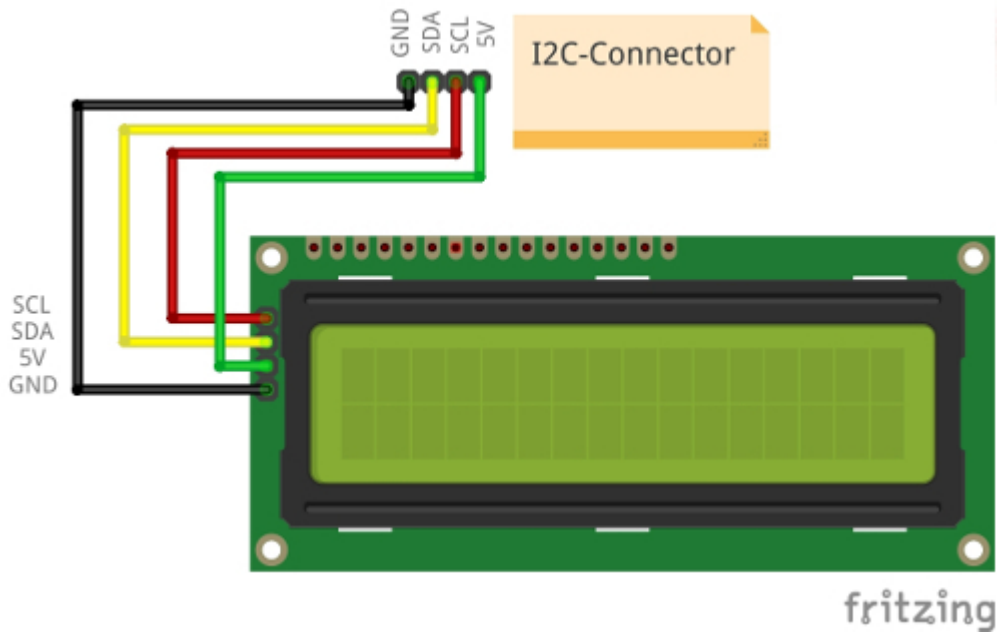


Connect LCD display

Connect the LCD to the pin headers on the main PCB. The order is shown in the diagram below.

You need:

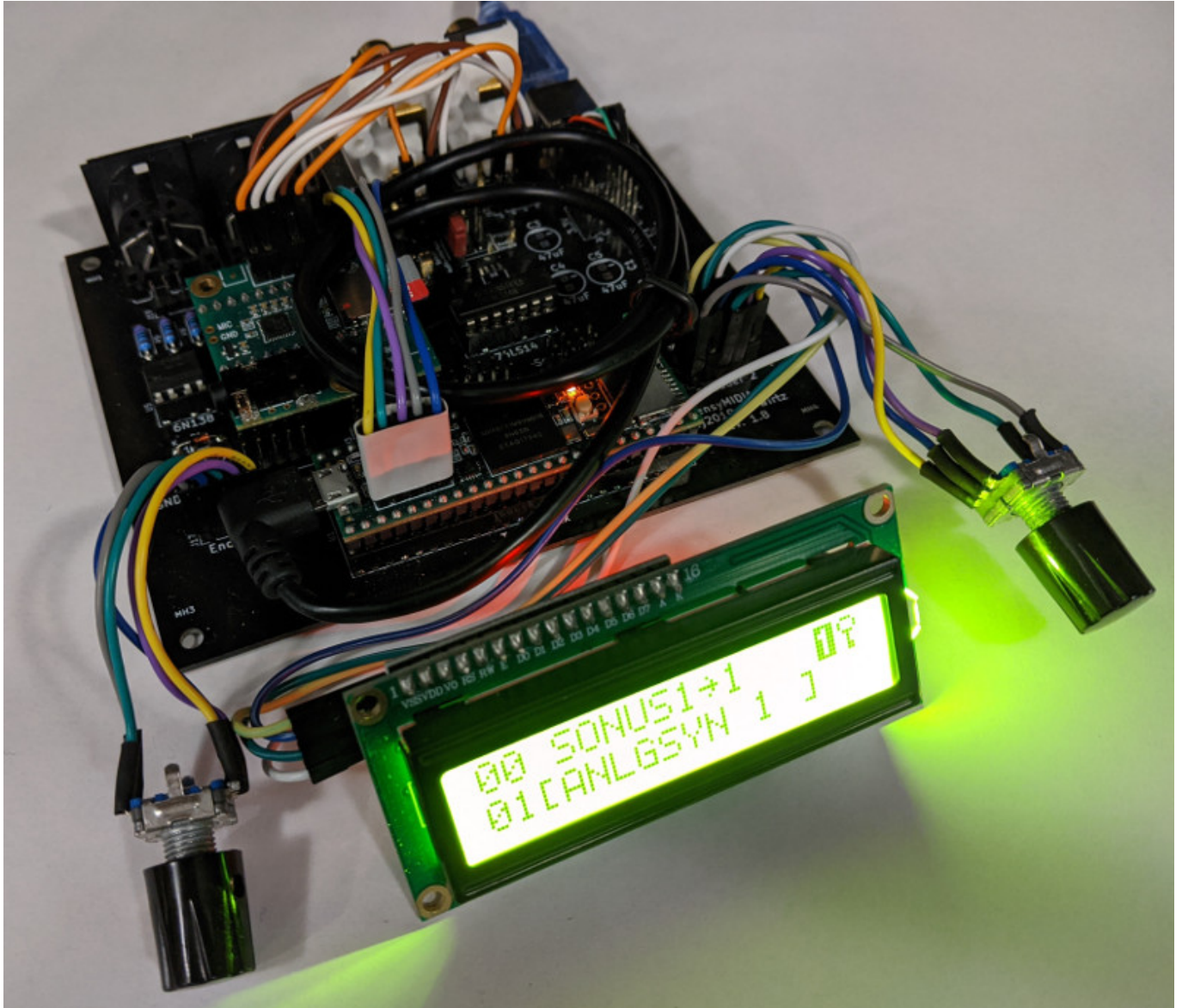
- LCD display
- 4 10cm female/female wires



Test and trouble-shooting

Now you are ready for the first test. But before, please check again the following:

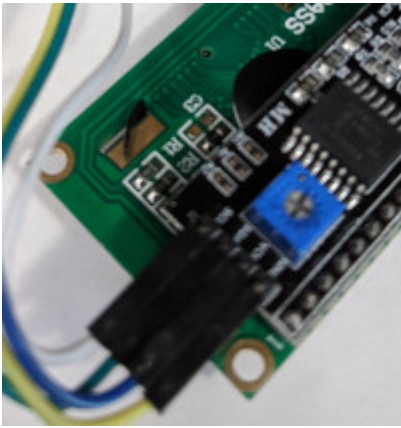
- orientation of the ICs
- orientation of the Teensy
- orientation of the audio card
- SD card is inserted



Now you can try to power your kit. If everything works, the display should show a short text during the boot process. After that you are in the bank/voice selection.

Problem: Nothings visible on the LCD

This can happen if the contrast of the LCD display is not set correctly. To adjust it you can (carefully) adjust the contrast with a small screwdriver on the blue pot on the back of the LCD display when it is switched on.



Problem: The Screen hangs on the boot message

Has the SD card been recognized? You can only hear the sound if the SD card has been recognized correctly. If not, format it again as FAT32 and copy the data or try another SD card. If the SD card is not recognized, the system will stop.

Problem: The encoder work upside down

The lines on the encoder (on the three-pin side, the lines on the right and left) have been plugged into the motherboard in reverse order. Exchange them crosswise on the main board.

Problem: The encoder buttons won't work

Check if the two wires from the encoder (from the two pole side) are connected to the correct position on the main board.

It is also possible that the potentiometer knobs are mounted too close to the encoder. Loosen the screw in the potentiometer knob and push the knob a bit higher or remove it first and test again.

Problem: There is no sound

First check your MIDI wiring. Are you getting signals? There should be a note or a box under the inverse 1 when you press a key. If not, no MIDI signals are detected and no sound is generated.

Is the volume high enough? Turn the volume encoder (left) so that the display shows you a higher value (maximum 100).

Has the SD card been recognized? You can only hear the sound if the SD card has been recognized correctly. If not, format it again as FAT32 and copy the data or try another SD card.